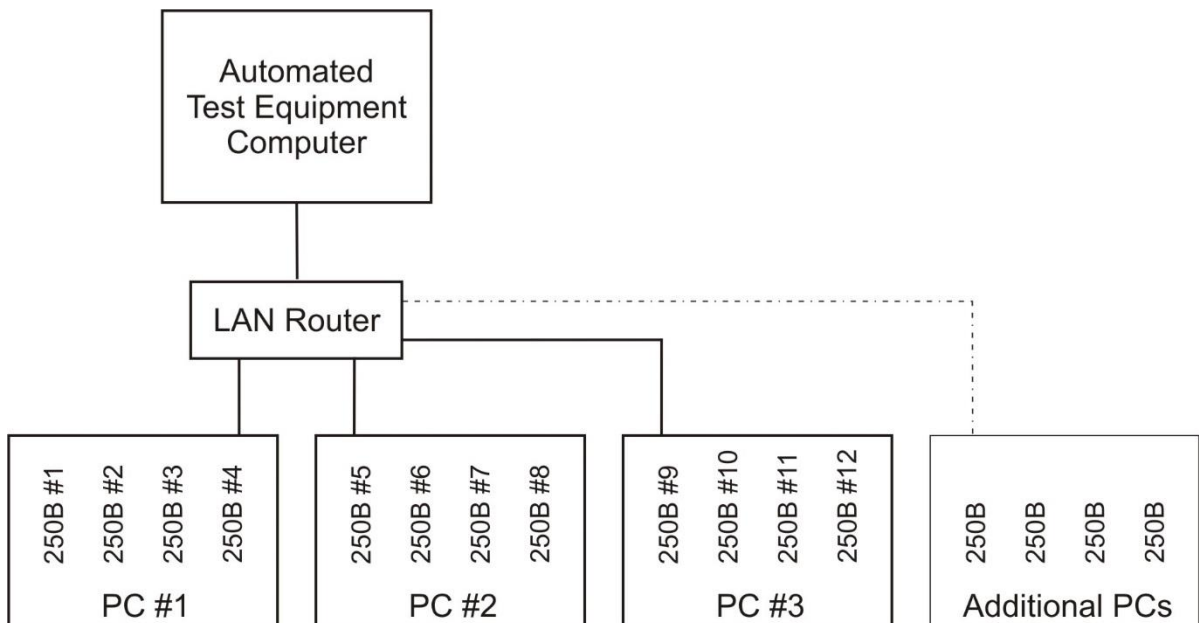


- Simultaneously makes multiple 250B Network Analyzer measurements.
- Interfaces to an Automated Test Equipment Program via DLL or OLE 250B LAN software.
- The computer hardware consists of an Automated Test Equipment Computer connected through a LAN Router to multiple 250B PCs. Each connected 250B PC supports up to four 250Bs.



SAUNDERS & ASSOCIATES, LLC

2520 E. Rose Garden Lane - Phoenix, Arizona 85050 USA (602) 971-9977 FAX (602) 971-5522
E-Mail sales@saunders-assoc.com - World Wide Web <http://www.saunders-assoc.com>