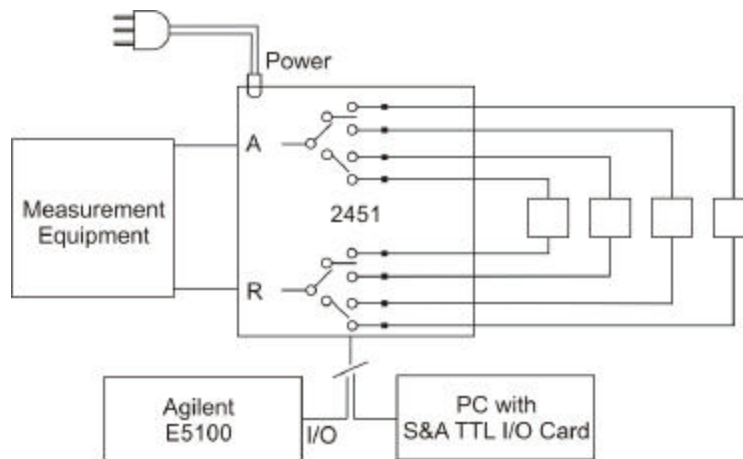


- Four Channel RF, 50 $\Omega$  coax relay switching
- Relays have 200 million life cycle expectancy
- Switching controlled by PC with S&A TTL I/O card or Agilent E5100 I/O port
- Allows measurement equipment to be connected to four test positions



### SPECIFICATIONS

- **Frequency Range:** DC - 500 MHz
- **Insertion Loss:** 1.5 dB at 300 MHz

## SAUNDERS & ASSOCIATES, LLC

2520 E. Rose Garden Lane - Phoenix, Arizona 85050 USA (602) 971-9977 FAX (602) 971-5522  
E-Mail [sales@saunders-assoc.com](mailto:sales@saunders-assoc.com) - World Wide Web <http://www.saunders-assoc.com>